

PKS-B 800

**WASTE WATER LIFTING  
STATION**

**JUNG-PUMPEN.FR**





# PKS-B 800

## Pumping stations for lifting waste water

Waste water cannot always be drained using gravity to the nearest public water network. This would be much too expensive.

Pressure drainage is the most cost-effective solution for unconnected residential buildings.

A high-quality PE well, fitted with one or two reliable lifting pumps, handles the transportation of household

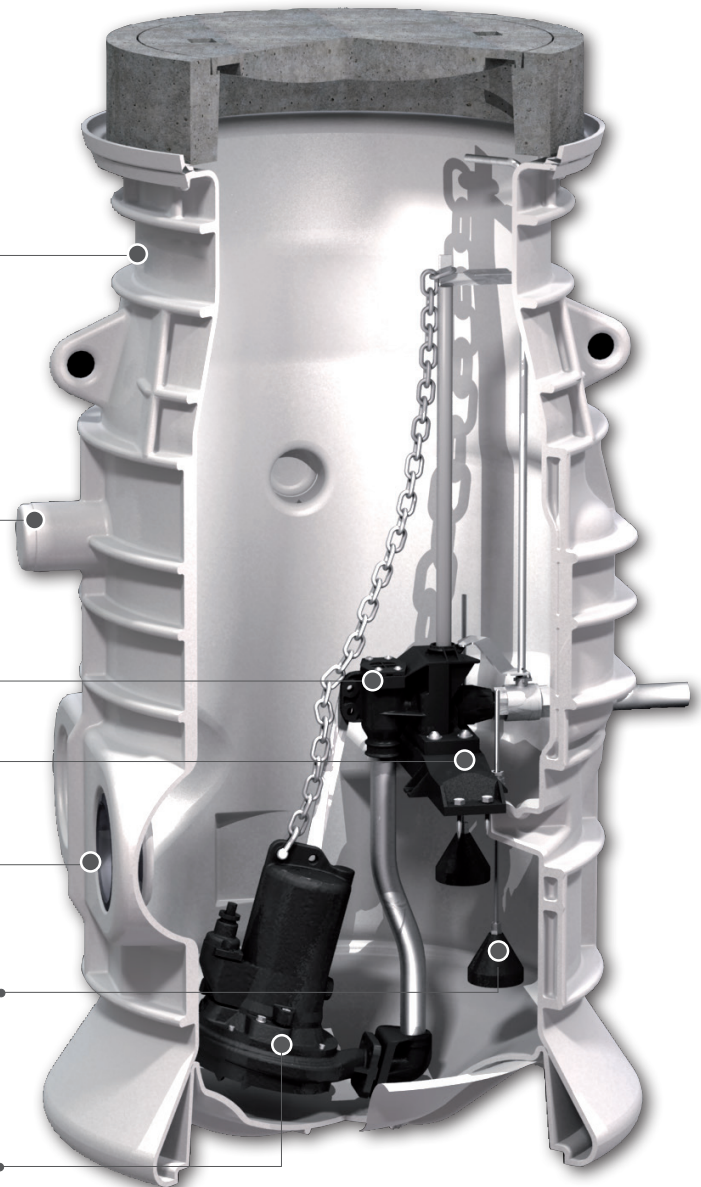
waste water, sometimes over miles of pressure pipes.

In the end, the waste water is transferred into another pressure pipe, or into a gravity-fed network up until the water treatment plant.

### Managing household waste water

Household waste water is drained directly into the PKS-B type station located near to the home. The pump(s) is fitted with a cutting device which grinds the waste water in complete safety and transports it in a small discharge pipe towards the gravity-fed network.

- ▶ **The structure of the cistern is buoyancy-resistant, easy to install and does not require any special work**
- ▶ **3 connections for ventilation and passing cables through.**
- ▶ **Coupling system with guide rail and ball check valve with pump and discharge pipe**
- ▶ **Very reliable. Long life thanks to the high-quality materials used. Corrosion-resistant parts (stainless steel and PPA (Polyphthalamide))**
- ▶ **WIL = Water Inlet Line  
Effluent inlet**
- ▶ **Tested level control technology. Static air level control with two independently operating pressure switches, which guarantee high operating safety, reduced maintenance and controlled running costs**
- ▶ **The best pump position for a minimum residual water level, a collection chamber without any deposits and reduced odours**





PE tanks are available in a single and double Multicut pump version. The station can be installed in an area accessible by foot (class A 15) or by car (class B 125). The moulded eyelets on the sides allow for easy transport and movement.

Thanks to a selection of different MultiCut waste water lifting pumps and to the specially optimised controls for discharging under pressure, this pumping station can be easily adapted to the required pumping conditions.

Depending on the extensions, the station can be extended up to a maximum total height of 2.75 m. The desired load class for the cover depends on the installation site.

## Multicut Pumps

For over 35 years, lifting pumps in the MultiCut family have made history thanks to their reliable cutting system. They are installed in many lifting stations, they transfer waste water into the gravity-fed network and play a key role in draining residential and municipal waste water.

### Evolution of waste water

The gradual use of wet wipes and other hygiene products has changed the composition of waste water. For years, lifting station suppliers have been complaining incessantly about the resulting breakdowns and repairs for waste water lifting pumps. This situation not only causes inconvenience, but also extremely high costs for municipal waste water.

### The new cutting system

These changes in waste water have encouraged us to optimise the cutting system of Multicut pumps and to adapt them to the harshest conditions. The rotor and the cutting mat have

been improved. The resulting cutting technology combines two types of cutting techniques: scissor + grinder type cutting

### This technology remains tried and tested!

The position of the cutting system is always in front of the pump's hydraulic system, which ensures that only ground solids can get inside the pump. The new MultiCut pumps therefore continue to offer this renowned quality.



- ▶ 200.000 cuts per minute
- ▶ Strong, reliable lifting pump with a silent cutting system
- ▶ Low annual energy consumption
- ▶ Reduced maintenance



# Composition of the cistern:

The airtight waste water lifting station is delivered pre-assembled so it is ready to accommodate pumps with a cutting device.  
The cisterns can be fitted with a choice of one or two pumps.

The installation depth can be easily adapted to local conditions by using extensions.



## SINGLE STATION PKS-B 800 32



### STANDARD DELIVERY

- 1 Polyethylene cistern
- 2 Coupling valve with lock to make pump and pipe maintenance easier
- 3 Guide rail for optimal ease of use
- 4 DN 32 stainless steel discharge WOL = Water Outlet Line

### NOT INCLUDED IN STANDARD DELIVERY

- 5 1 MultiCut Pump
- 6 HighLogo 1 control unit, IP44 with discharge pressure level control.
- 7 Type A cover pad (Class A15 for pedestrians) or Type B (Class B125 for light vehicles)

## DOUBLE STATION PKS-B 800 D32

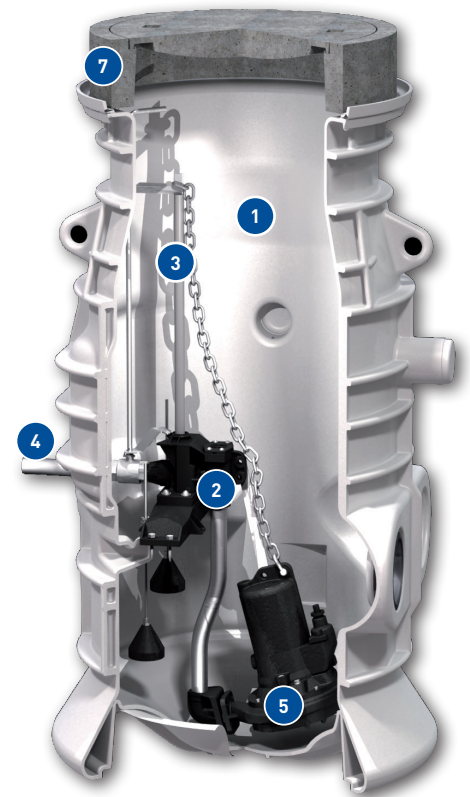


### STANDARD DELIVERY

- 1 Polyethylene cistern
- 2 2 coupling valves with lock to make pump and pipe maintenance easier
- 3 Guide rail for optimal ease of use
- 4 DN 32 stainless steel discharge WOL = Water Outlet Line

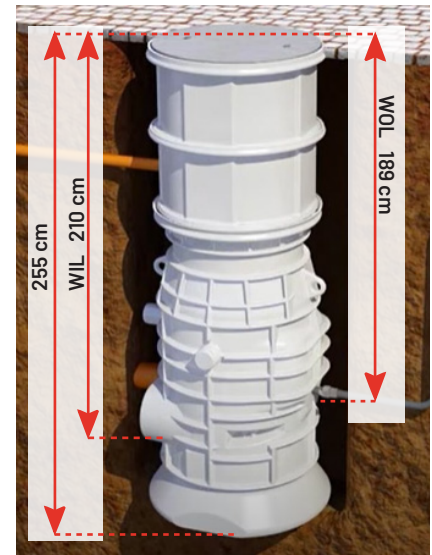
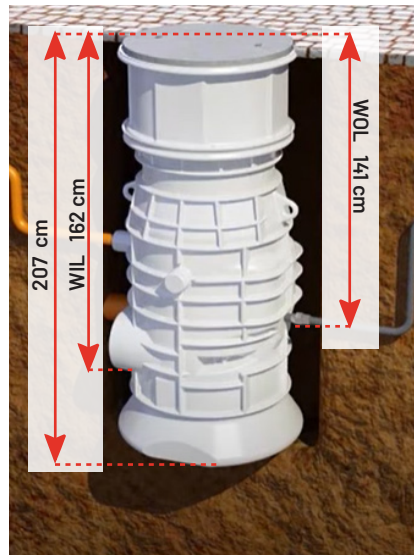
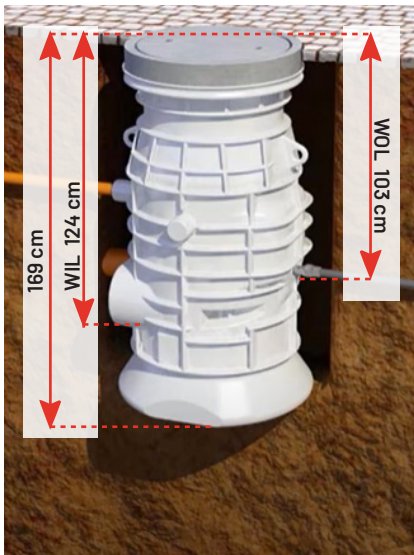
### NOT INCLUDED IN STANDARD DELIVERY

- 5 2 MultiCut Pumps
- 6 HighLogo 2 control unit, IP44 with discharge pressure level control.
- 7 Type A cover pad (Class A15 for pedestrians) or Type B (Class B125 for light vehicles)





## Extension options:



\*All installation sizes come with a class A cover (8cm high) and are slightly rounded

\*\*PKS-B 800 cisterns are also available in a version suitable for motor vehicles (Class B) upon request.

Cistern	Volume	Extension	Inlet WIL	Outlet/WOL discharge	Air duct/cable sheath	Switch point			
						Off	On	Alarm	Drawdown volume
PKS-B 800 32	640 l	38 cm/86 cm	DN 150	DN 32	DN 100	36 l	110 l	145 l	145 l
PKS-B 800 D32	740 l	38 cm/86 cm	DN 150	DN 32	DN 100	85 l	140 l	190 l	190 l



# Pump selection:

The PKS-B 800 lifting station has been designed to accommodate Multicut pumps with a DN 32 discharge. Consequently, the maximum flow rate is limited to approximately 4 l/s. The pumps mentioned have different supply voltages and powers;

these factors will make the maximum discharge head vary that can be achieved.

The following selection table shows the discharge head and pipe length required for that type of pump to reach a minimum flow velocity of 0.7

m/s. The larger the diameter of the pipe, the higher the required flow rate.



## TECHNICAL SPECIFICATIONS AND PERFORMANCE:

Pump Model	Item Code	H max [m]	Q max [m³/h]	Voltage [V]	P <sub>1</sub> [kW]	P <sub>2</sub> [kW]	Current [A]	10 m plug-in cable
Multicut 08/2 ME	JP50342	14.5	16.5	1/N/PE~230	1.37	0.98	6.0	H07 RN-F 6G 1.5
Multicut 08/2 M	JP50344	18.5	18.5	3/PE~230/400	1.65	1.24	2.8	H07 RN-F 6G 1.5
Multicut 20/2 M PLUS	JP50350	24	18	3/PE~230/400	2.40	1.91	4.0	H07 RN-F 6G 1.5

## PUMP SELECTION TABLE:

Discharge Head DN 40	Discharge Length DN 40									
	10	25	50	75	100	150	200	300	400	500
20	20/2M	20/2M	20/2M	20/2M						
18	20/2M	20/2M	20/2M	20/2M	20/2M	20/2M				
16	20/2M	20/2M	20/2M	20/2M	20/2M	20/2M	20/2M			
14	08/2M	08/2M	08/2M	08/2M	20/2M	20/2M	20/2M	20/2M		
12	08/2/ME	08/2/ME	08/2M	08/2M	08/2M	08/2M	20/2M	20/2M	20/2M	
10	08/2/ME	08/2/ME	08/2/ME	08/2/ME	08/2/ME	08/2M	08/2M	20/2M	20/2M	20/2M
8	08/2/ME	08/2/ME	08/2/ME	08/2/ME	08/2/ME	08/2/ME	08/2/ME	08/2M	20/2M	20/2M
6	08/2/ME	08/2/ME	08/2/ME	08/2/ME	08/2/ME	08/2/ME	08/2/ME	08/2M	08/2M	20/2M
4	08/2/ME	08/2/ME	08/2/ME	08/2/ME	08/2/ME	08/2/ME	08/2/ME	08/2/ME	08/2M	08/2M
2	08/2/ME	08/2/ME	08/2/ME	08/2/ME	08/2/ME	08/2/ME	08/2/ME	08/2/ME	08/2/ME	08/2M
Discharge Head DN 50	Discharge Length DN 50									
	10	25	50	75	100	150	200	300	400	500
20	20/2M	20/2M								
18	20/2M	20/2M	20/2M	20/2M	20/2M	20/2M				
16	20/2M	20/2M	20/2M	20/2M	20/2M	20/2M	20/2M			
14	08/2M	08/2M	08/2M	08/2M	20/2M	20/2M	20/2M			
12	08/2M	08/2M	08/2M	08/2M	08/2M	08/2M	20/2M	20/2M	20/2M	
10	08/2/ME	08/2/ME	08/2/ME	08/2/ME	08/2/ME	08/2M	08/2M	08/2M	20/2M	20/2M
8	08/2/ME	08/2/ME	08/2/ME	08/2/ME	08/2/ME	08/2/ME	08/2/ME	08/2M	08/2M	20/2M
6	08/2/ME	08/2/ME	08/2/ME	08/2/ME	08/2/ME	08/2/ME	08/2/ME	08/2/ME	08/2M	08/2M
4	08/2/ME	08/2/ME	08/2/ME	08/2/ME	08/2/ME	08/2/ME	08/2/ME	08/2/ME	08/2/ME	08/2M
2	08/2/ME	08/2/ME	08/2/ME	08/2/ME	08/2/ME	08/2/ME	08/2/ME	08/2/ME	08/2/ME	08/2/ME

Effluent speed based on 0.9 l/s

Effluent speed based on 1.4 l/s

DN = Interior diameter

# High Logo: the perfect control unit

The HIGHLOGO microprocessor power system has been designed to be easy to use and intuitive.

It allows one or two direct starter pumps to operate and helps guarantee trouble-free use when running:

- ▶ Lifting pumps for cellar drainage water and waste water
- ▶ MultiCut cutter pumps for draining water under pressure
- ▶ Single-vane and vortex pumps in the municipal sector and industrial sector

The display panel is intuitive to use and makes running the lifting station child's play. With only a few adjustments, HIGHLOGO covers over 90% of all installation situations. This helps save time and money. In this way, pumps' operating hours, the start-up cycles, the current well level (in combination with the hydrostatic immersion probe), the service intervals and many other things can still be displayed on the screen in a clearly legible way.



- ▶ Fully automatic pump start-up and shutdown
- ▶ Breakdown warning light and alarm systems
- ▶ Effluent level detection system for greater safety
- ▶ Easy operation
- ▶ Screen with clear text and display  
Choice of language

## Complete station kit:



## Accessories:



Ventilation pipe



Battery for the network independent alarm



Outdoor cabinet for the control unit/warning light



Single or double extension



**Le Broc Center – Bât B | 1ère Avenue – 5600m | F-06510 CARROS | Tel. +33 800 941354 | Fax +33 800 941355 | [fr.jp@pentair.com](mailto:fr.jp@pentair.com) | [www.jung-pumpen.fr](http://www.jung-pumpen.fr)**

Pentair Jung Pumpen is a trademark, or registered trademark of Pentair or its subsidiaries in the United States and/or other countries.

All indicated Pentair trademarks and logos are the property of Pentair. Third party registered and unregistered trademarks and logos are the property of their respective owners.

Because we are continuously improving our products and services, Pentair reserves the right to change specifications without prior notice. Pentair is an equal opportunity employer. Ed 12/2021 © 2021 Pentair Jung Pumpen. All Rights Reserved.